

# The PHAZZER by

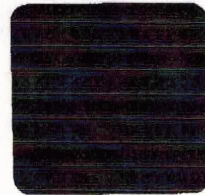


BOX 310 / ELKHART, INDIANA 48514

*In Canada:*  
H. & A. Selmer (Canada) Ltd.  
95-97 Nortinch Drive  
Downsview, Ontario M3M1W8, Canada

AV9091

Printed in U.S.A.



**ampeg**

*Owner's Operating Manual*

Your new Ampeg Phazzer will provide many hours of reliable performance if you follow the recommended operating instructions. The Phazzer can be operated with either a 9 volt battery or, for added performance

and dependability, a 9 volt AC adapter. The Phazzer's solid state circuitry can be used in conjunction with any instrument (guitar, organ, electric piano, etc.) and is compatible with solid state or tube amplifiers.

**Battery:** A standard 9 volt transistor battery is provided within the Phazzer. For optimum performance, we recommend changing the battery after 30 hours playing time. To replace the battery, remove the two screws from each side of the case and separate the two metal enclosures.

**Internal Adjustment:** The Phazzer has been pre-adjusted at the factory for optimum balance between depth and smoothness. This control should not require further adjustment. However, the small white serrated knob on the internal control adjusts the effect depth if modification is desired. *Battery strength affects the adjustment of this control.*

**WARRANTY:** Ampeg warrants the Phazzer to be free from defects in materials and workmanship for three months from date of purchase to the original purchaser under the following conditions:

- A. Inoperative in-warranty units must be returned to Ampeg, 345 Dalziel Road, Linden, New Jersey 07036 for inspection. Any unit found to be defective will be repaired or replaced with a new unit.
- B. This warranty applies only when the product is subjected to normal use.
- C. This warranty does not cover the battery or units that have been modified in any way.

---

#### ELECTRICAL

##### SPECIFICATIONS:

**Input Impedance:**  
100K ohms

**Output Impedance:**  
60K ohms

**Effect Bandwidth:** 75 to  
2500 Hertz

**Input Overload Voltage:**  
1 volt

**Speed Adjustment Range:**  
0.14 - 8.3 Hertz

**Notch Depth at 1K Hz:** 20 dB

**Power Supply**

**Requirements:** 15 millamps  
at 9 volts

**Recommended Battery**  
**Change Interval:** 30 hours

#### OPERATING INSTRUCTIONS:

**Input Jack:** The Phazzer is internally switched "on" whenever a guitar cable is plugged into the input jack. *For maximum battery life, be sure to unplug all cables when the unit is not in use.*

**Footswitch:** The footswitch turns the signal circuitry on and off.

**Control Knob:** The control knob sets the speed of the automatic Phazzer effect.

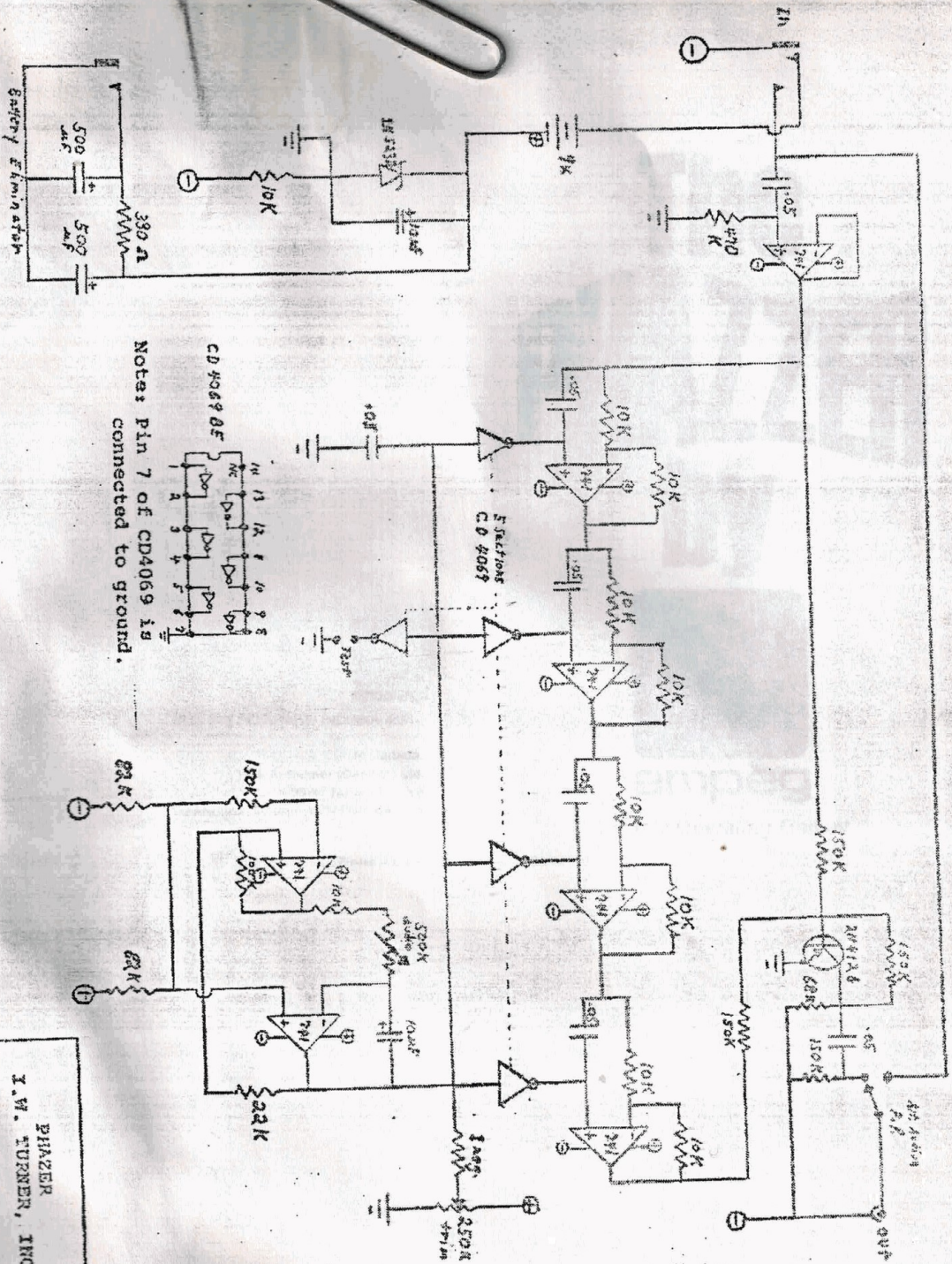
**Mini-Jack:** The mini-jack accepts a 9 volt AC adapter, such as the Magnavox 1A9179, and allows the Phazzer to be used directly from a normal AC power source.

# Time Labs

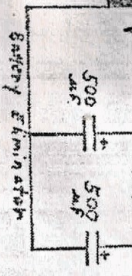
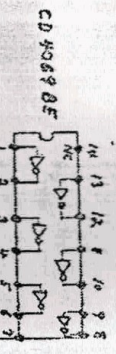
DIVISION OF I. W. TURNER INC. 31 SLOCUM AVENUE • PORT WASHINGTON, N.Y. 11050 • 516 883-7980

## PARTS LIST - PHAZER

<u>Semiconductors</u>		<u>Qty</u>
1. 741 op amp	Motorola 1741 CP1	1
2. Dual 741 op amp	" MC 1458 CP1	3
3. Hex Inverter	RCA CD 4069 BE	1
4. Transistor	Motorola 2N 4126	1
5. Zener Diode	" 1N 5232	1
<u>Capacitors</u>		
1. 500 mfd @ 15 volts		2
2. 10 mfd @ 15 volts		2
3. .05 disc capacitor		7
<u>Potentiometers</u>		
1. 500 K audio pot	Stackpole 147-16	1
2. 250 K trim pot	Piher PT 10 V	1
<u>Resistors</u>		
1. 330 ohm ½ watt		1
2. 10 K ½ watt		10
3. 22 K ½ watt		1
4. 68 K ½ watt		1
5. 82 K ½ watt		2
6. 100 K ½ watt		1
7. 150 K ½ watt		5
8. 470 K ½ watt		1
9. 1 Meg ½ watt		1
<u>Misc.</u>		
1. Jack 2 cond. open circuit	Switchcraft # 11	1
2. Jack 3 cond. open circuit	Switchcraft # 128	1
3. Jack ultra mini	NTT # 310	1
4. P,P. switch	Carling switch # 112P	1
5. 9 V Battery	Everyready # 216	1
6. Battery Connector	Keystone # 72	1
7. Knob	Kurz Kasch S-1904-3-DL	1



Notes: Pin 7 of CD4069 is connected to ground.



PHAZER  
I. W. TURNER, INC.